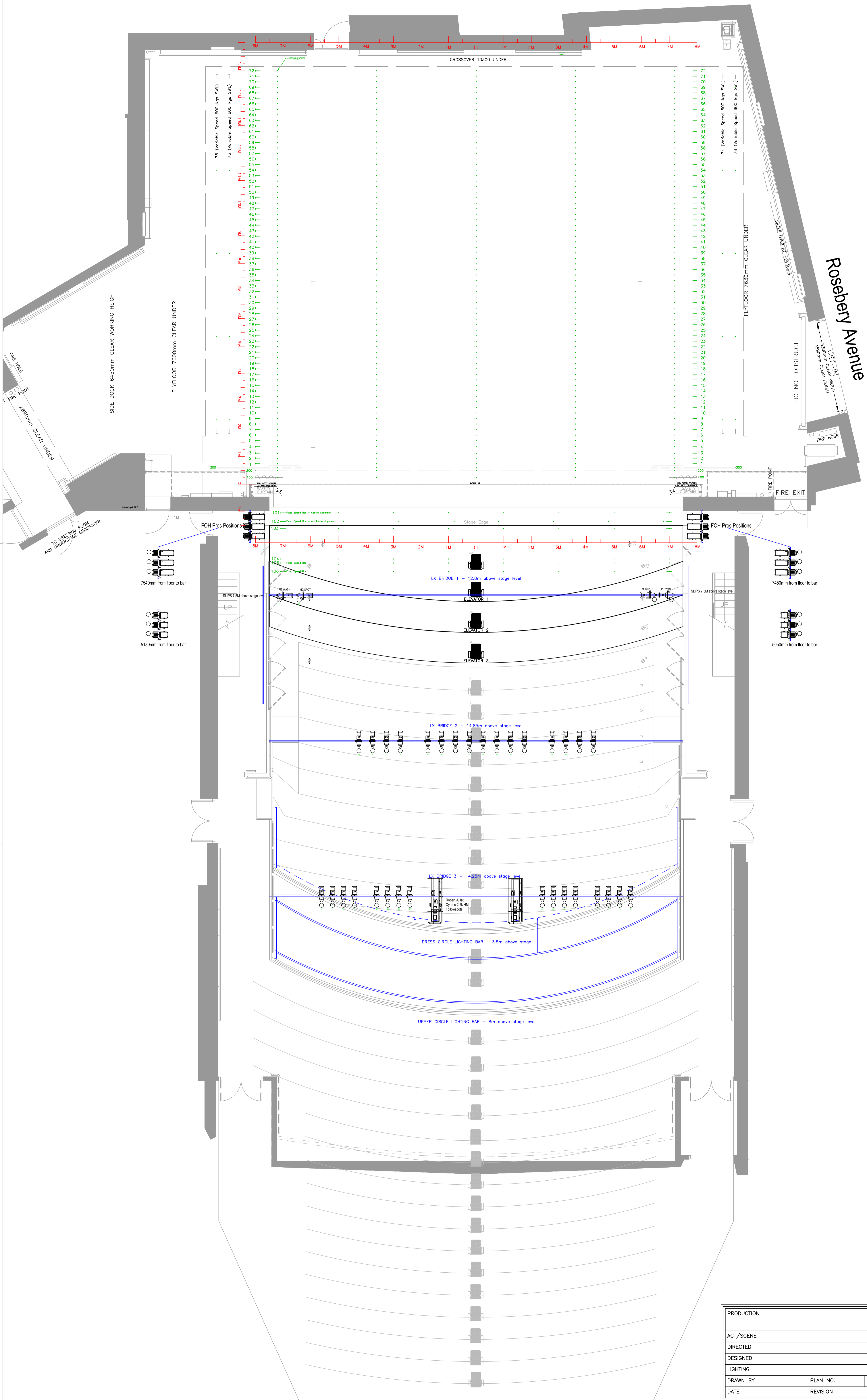


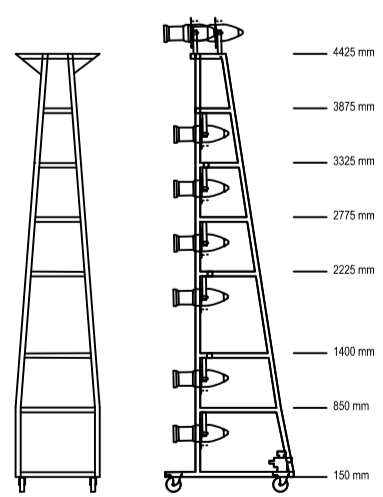
72	72
71	71
70	70
69	69
68	68
67	67
66	66
65	65
64	64
63	63
62	62
61	61
60	60
59	59
58	58
57	57
56	56
55	55
54	54
53	53
52	52
51	51
50	50
49	49
48	48
47	47
46	46
45	45
44	44
43	43
42	42
41	41
40	40
39	39
38	38
37	37
36	36
35	35
34	34
33	33
32	32
31	31
30	30
29	29
28	28
27	27
26	26
25	25
24	24
23	23
22	22
21	21
20	20
19	19
18	18
17	17
16	16
15	15
14	14
13	13
12	12
11	11
10	10
9	9
8	8
7	7
6	6
5	5
4	4
3	3
2	2
1	1
0	0
100	HOUSE TABS (PERM)
200	BLACK TABS
300	TRACKED BLACK TABS



All lighting stock in addition to FOH lighting as indicated on plan

SWT LX Symbols	Stock
	ETC Source 4 750v (100 bodies)
	50 x 14 deg lenses
	50 x 19 deg lenses
	50 x 25 deg lenses
	50 x 36 deg lenses
	50 x 50 deg lenses
	(including FOH stock)
	Source 4 LED Series 2 Lustr (30)
	Compatible lenses above
	Robert Juliat 0115x 11'-26" (24)
	(including FOH stock)
	Robert Juliat 6135x 28'-54" (24)
	(including FOH stock)
	Robert Juliat 310 1.2kw Fresnels (8-53) (50)
	Robert Juliat 329 2.5kw PC (7-49) (30)
	Arti 2.5k HM Fresnel (2)
	Strand Polux 5kw (2)
	Strand Bombino 5kw (4)
	Robert Juliat CNX 350 LPV 5kw (2)
	Par64 1kw (70)
	Par20 240v (10' Spot) (40)
	QLP Impression 14' Bar 20 (16)
	Source 4 LED CVC Series 2 Lustr (22)
	Salecon Flood (8)

All SWT Symbols are Dynamic blocks with visibility states.



ELECTRICS KEY	
CIRCUIT IDENTIFICATION	
15amp circuits	322-336
Paired 15amp circuits	322-327*
25amp circuits	424-428
CIRCUIT POSITION	
At stage level	322-336
One level above stage	[43-146 416]
Two levels above stage	[35-138 414]
Three levels above stage	[27-130 412]
Below stage level	[ORCHESTRA PIT 1166-170]

POWER FLYING WINCH BARS

BARS 16M LONG WITH EXTENSIONS TO 19M

SWL 600KGS
MAX. OUT DEAD 21000mm.

PRODUCTION		
ACT/SCENE		
DIRECTED		
DESIGNED		
LIGHTING		
DRAWN BY	PLAN NO.	NO. OF PLANS
DATE	REVISION	

Sadler's Wells
Rosebery Avenue London EC1R 4TN

Stage and auditorium plan

Refer to layer key at left for information included

SCALE: 1/50 at A0

